

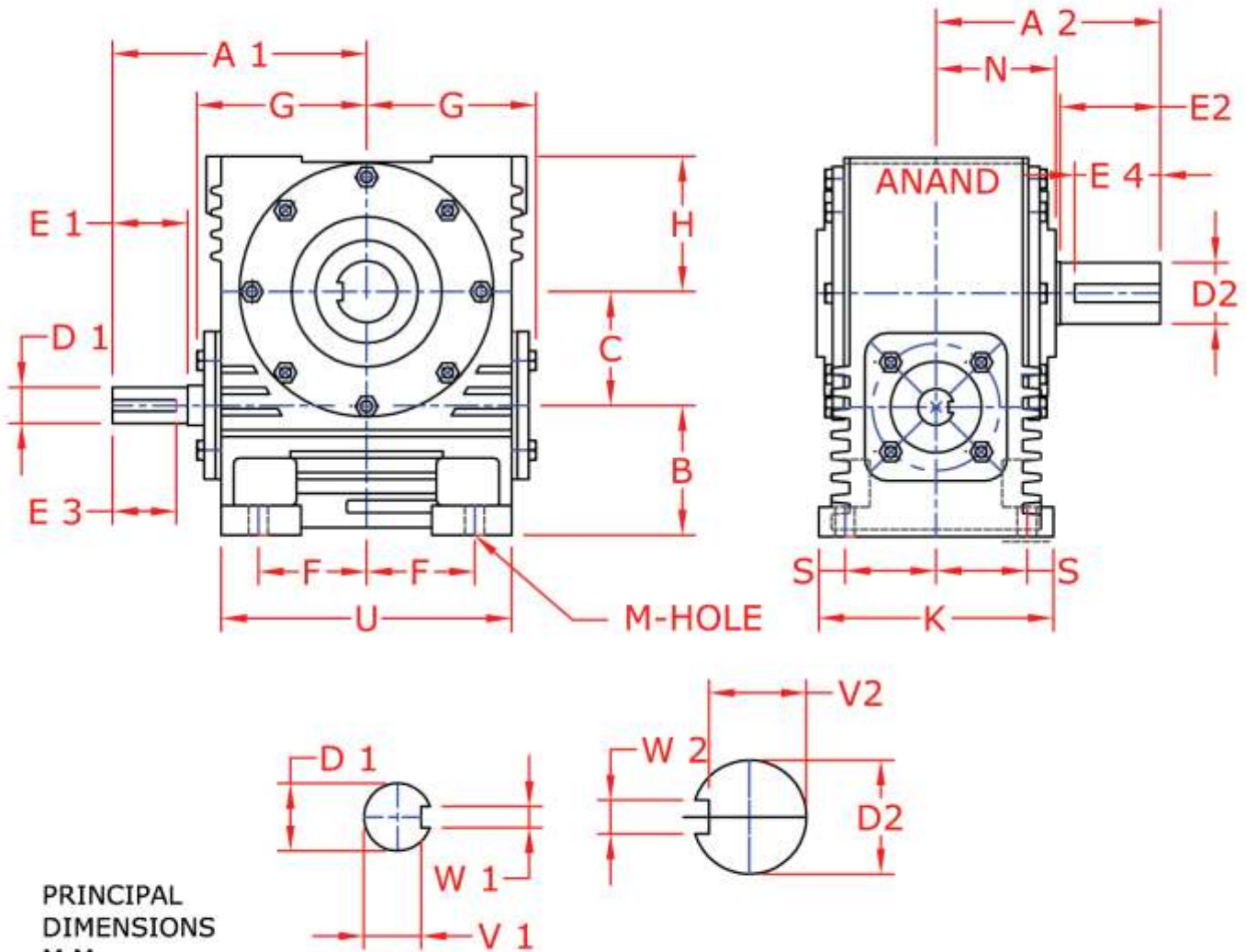
### INPUT DETAILS.

SIZE	D1	E1	E3	V1	W1
42	16	41	36	13	5
55	19	50	46	15.5	6
72	22	60	55	18.5	6
84	25	74	68	21	8
100	32	66	61	27	10
127	38	72	67	33	10
152	38	76	70	33	10

### OUTPUT DETAILS

D2	E2	E4	V2	W2
19	48	43	15	6
28	60	55	24	8
32	82	77	27	10
40	90	82	35	10
44	85	80	38.5	14
52	101	96	46	16
58	113	105	52	16

ANAND GEARS MUMBAI.



PRINCIPAL  
DIMENSIONS  
M.M.

OVERALL DETAILS			MOUNTING DETAILS.								
C	A1	A2	B	F	S	M	N	G	U	K	H
42	118	102.5	55	42.5	45	8	58	73	116	112	57
55	145	125.5	71.5	56	55	11	63.5	92.5	154	138	78
72	172	172	97	65	75	13	76	104	168	186	90
84	204	192	118.5	82.5	82.5	13	87	122	210	200	113
100	223	192	114	95	80	17	103	149	258	208	122
127	247.5	226	120	122.5	107.5	17	112	173.5	304	252	144
152	287	271	132	135	130	18	134	205	360	306	178